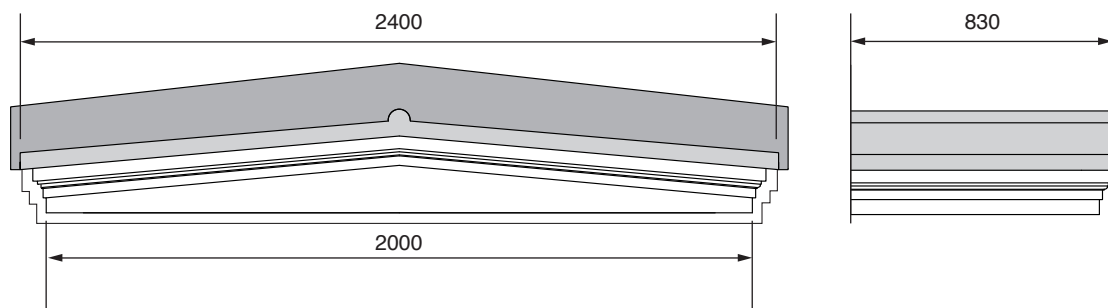


Technical detail (dimensions are in mm)



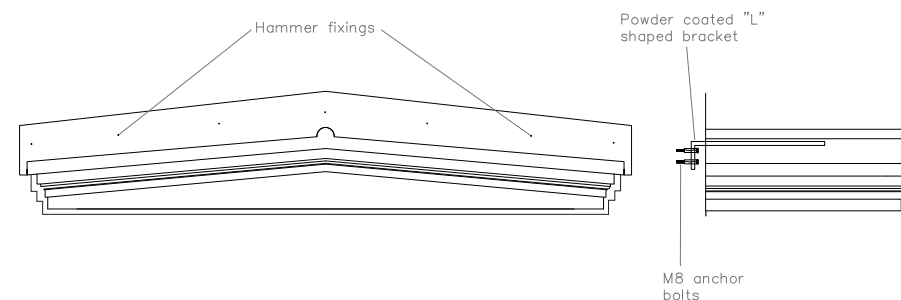
Fixing detail

Canopy should be stored in its packaging on its back with the rear of the up-stand facing downwards.

GRP canopies are light in relation to their size and in most cases can be handled manually, care should be taken not to damage the canopy whilst handling/manoeuvring. Please refer to manual handling's REG's 1992 and HSE guidance sheets prior to starting installation of your door canopy.

Installation

1. Fix the "L" shaped bracket using M8 anchor bolts centrally at the required height
2. Locate the canopy onto the bracket
3. Check the canopy is sitting level, fix the canopy through the up-stand using hammer fixings at approx 225mm centres* (finish with colour coded caps)
4. Seal using a proprietary all weather silicone sealant, avoid sealing the soffit to the wall



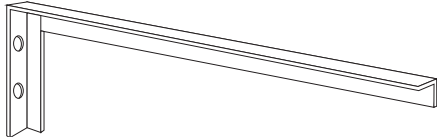
Fixing kit

 Hammer fixings x 12

 M8 Anchor bolt x 2

 Colour coded caps x 12

*The fixing points shown are a guide for the hammer fixings.



Powder coated "L" shaped bracket x 1

Extended Princess

Scale: Not to scale

canopies uk
www.canopiesuk.co.uk