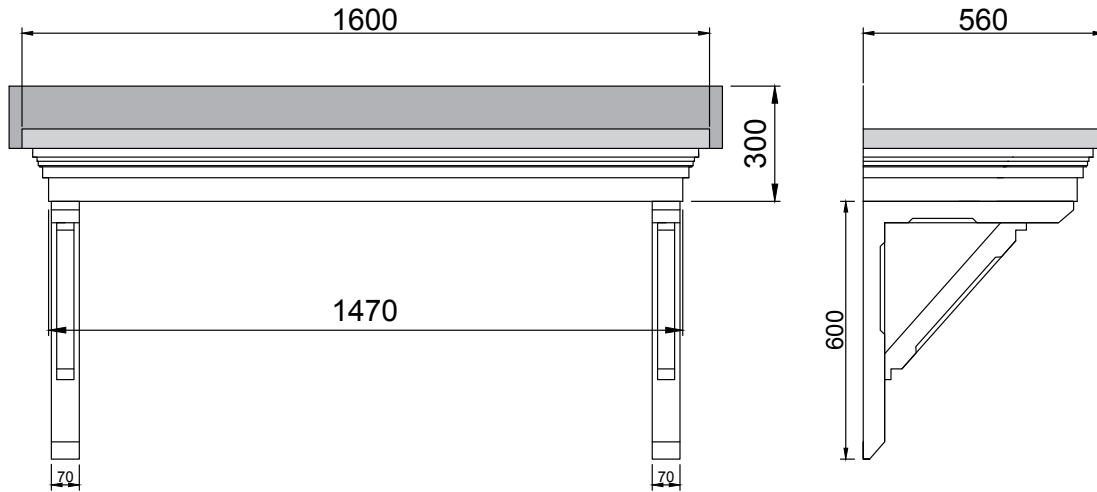


Technical detail (dimensions are in mm)



Fixing detail

Canopy should be stored in its packaging on its back with the rear of the up-stand facing downwards.

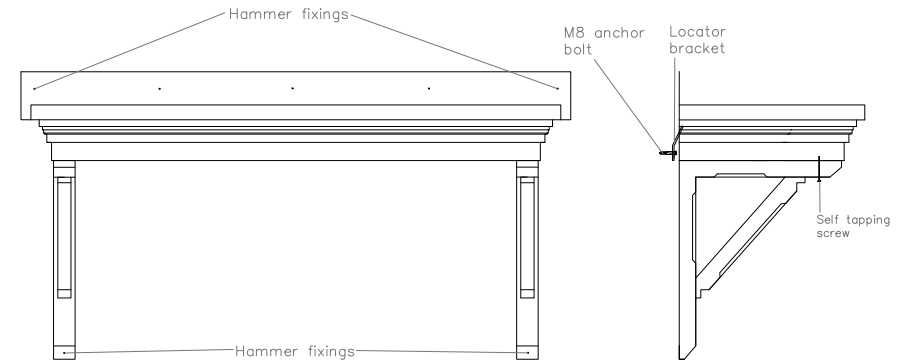
GRP canopies are light in relation to their size and in most cases can be handled manually, care should be taken not to damage the canopy whilst handling/manoeuvring. Please refer to manual handling REG's 1992 and HSE guidance sheets prior to starting installation of your door canopy.

Installation

1. Measure and fix the locator brackets at the required height using the M8 anchor bolts
2. Locate the canopy onto the locator brackets
3. Check the canopy is sitting level, fix the canopy through the up-stand using hammer fixings at approx 225mm centres* (finish with colour coded caps)
4. Seal using a proprietary all weather silicone sealant, avoid sealing the soffit to the wall

Gallows brackets (decorative and not to be used for structural support)

1. Fix the brackets to the wall using hammer fixings (finish with colour coded caps)
2. Fix to the underside of the canopy using self tapping screws (finish with colour coded caps)



Fixing kit

*The fixing points shown are a guide for the hammer fixings.



Royale 1600 & gallows brackets

Scale: Not to scale